

EUROLIGHT



BRITAIN'S LEADING
TRAILER MANUFACTURER



Eurolight

Our latest trailer range offers exceptionally lightweight trailers without compromising strength or durability. The combination of engineering design and high strength materials has produced a trailer range with an excellent strength to weight ratio. Having undergone rigorous testing on our fatigue testing rig, Eurolight trailers will meet the needs of even the most demanding user.

Optional Features

- _ Hinged steel dropsides and / or ladder rack.
- _ Loading skids for side and rear attachment - useful for unloading awkward loads.
- _ Rear skid storage system.

Ideal for both the domestic and professional user, the Eurolight offers lighter alternatives to traditional Ifor Williams Trailers and is suitable for lighter commercial vehicles and cars with lower towing weight capacities. From horse owners to landscape gardeners, the Eurolight range has been designed for various jobs for the domestic and business user.

The Eurolight series are designed as braked trailers however we now also produce the two smallest trailers in the range (EL2012 & EL2512) as un-braked models. These offer significant value for money for an extremely versatile trailer.

Standard Features:

The Eurolight multi-purpose range is offered in 2 width options, 1.3m and 1.58m and 4 length options from 2.08m to 3.68m. Single and tandem axle options are available. Maximum gross weights of the Eurolight models range from 750kg to 2000kg.

EL101-2012



EL142-3615



EL142-3615 with optional steel dropsides, tailboard & headboard



Standard Features

It's the attention to detail of Ifor Williams trailers that makes our products so popular with owners. Just take a look at these standard features.



Chassis

The underside of the trailer features a galvanised steel chassis and drawbar, for long-lasting corrosion protection.

Floor

Resin coated on both sides, our ply platform floors feature an embossed grip pattern on the upper surface.

Beam axle and leaf spring suspension

The Ifor Williams beam axle system increases stability and reliability whilst ensuring minimum maintenance.

Spare wheel

A mounting bracket and spare wheel are fitted as standard to all Ifor Williams trailers for complete peace of mind.

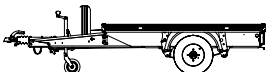
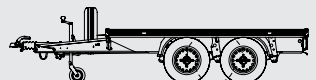
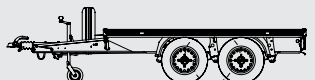
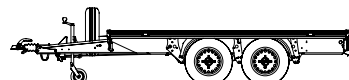
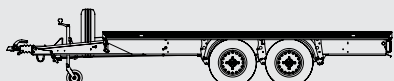
Adjustable coupling height

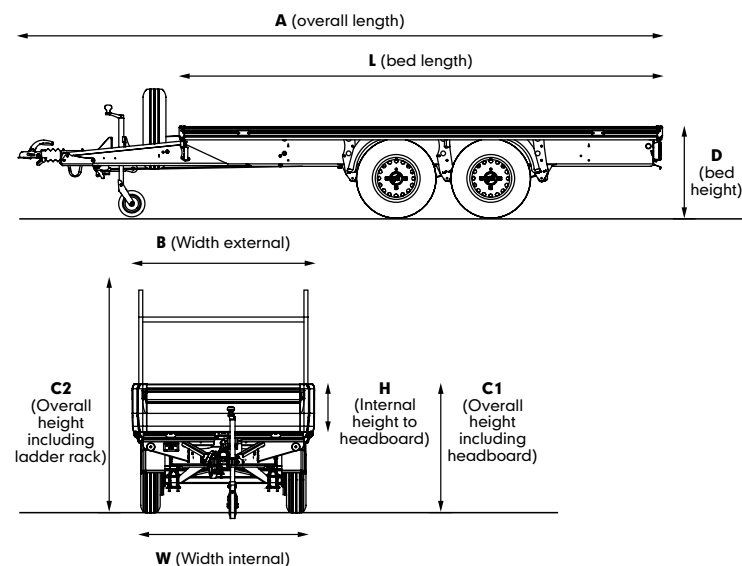
All trailers are fitted with spacers under the coupling body. When removed, the towing height can be lowered by up to 40mm (25mm on model EL141-2515).



The lockable coupling head can be locked on or off the tow ball for additional security (Padlock not included).

Eurolight Specifications

	1.30m width	1.58m width
2.08m length	EL071-2012 EL101-2012 	
2.58m length	EL071-2512 EL101-2512 EL142-2512 	EL101-2515 EL141-2515 EX202-2515 EL142-2515 
3.08m length		EX202-3015 EL142-3015 
3.68m length		EX202-3615 EL142-3615 



Dimensions in Metres	A	B	C1	C2	D	L	W	H	Max Gross Weight	*Unladen Weight
Unbraked										
EL071-2012	3.29	1.39	0.99	1.84	0.66	2.08	1.30	0.35	750kg	195kg
EL071-2512	3.79	1.39	0.99	1.84	0.66	2.58	1.30	0.35	750kg	220kg
Braked										
EL101-2012	3.38	1.39	0.99	1.84	0.66	2.08	1.30	0.35	1000kg	225kg
EL101-2512	3.91	1.39	0.99	1.84	0.66	2.58	1.30	0.35	1000kg	250kg
EL142-2512	3.91	1.39	0.99	1.84	0.66	2.58	1.30	0.35	1400kg	320kg
EL101-2515	3.88	1.67	0.99	1.86	0.66	2.58	1.58	0.35	1000kg	290kg
EL141-2515	3.88	1.67	0.99	1.86	0.69	2.58	1.58	0.35	1400kg	300kg
EL142-2515	3.88	1.67	0.99	1.86	0.66	2.58	1.58	0.35	1400kg	350kg
EX202-2515	3.88	1.67	0.99	1.86	0.66	2.58	1.58	0.35	2000kg	360kg
EL142-3015	4.38	1.67	0.99	1.86	0.66	3.08	1.58	0.35	1400kg	370kg
EX202-3015	4.38	1.67	0.99	1.86	0.66	3.08	1.58	0.35	2000kg	380kg
EL142-3615	4.98	1.67	0.99	1.86	0.66	3.68	1.58	0.35	1400kg	400kg
EX202-3615	4.98	1.67	0.99	1.86	0.66	3.68	1.58	0.35	2000kg	405kg

* Unladen weight does not include optional extras

Optional Features

The addition of selected accessories allows you to further enhance your trailer and tailor it to suit your specific needs.



Steel Drop Sides
Removable drop sides, tailboard and headboard.



Steel Headboard
Removable headboard, particularly useful for transporting longer loads.



Floor Covering
Aluminium treadplate.



Perforated Steel Loading Skids
2.00m long with hook locking feature. Can be used on all trailer sides. A skid carrier may be purchased to store skids within the trailer chassis.



Lashing Rings
Recessed hinged ring providing a secure floor level fixing point.



Removable Ladder Rack
Only available with a headboard.

	Axle	Maximum Gross Weight	Tyres	Trailer Fitted with Resin Coated Plywood Platform	Aluminium Treadplate Floor Covering	Removable Aluminium Easy-latch Drop Sides, Tailboard & Headboard*	Aluminium Headboard*	Removable Steel Headboard, Drop Sides & Tailboard*	Removable Steel Headboard*	Weidmesh Panelled Side Extensions* (Drop Sides Required)	Removable Ladder Rack* (Headboard Required)	2.00m Long Steel Perforated Lockable Loading Skids & Skid Carrier* (Includes Prop Stands)	Recessed Lashing Ring (Pair)	Prop Stands	Rope Hook Kit (Pair)	Trailer Aid	Wheel Chocks	13 pin to 7 pin Towing Electric Plug Adaptor
Unbraked Trailers				Unladen Weight														
EL071-2012	Single	750kg	145/80B10	195kg	Option	Option	Option	Option	Option	Option	Option	Option	Option	Option	Option	Option	Option	Option
EL071-2512	Single	750kg	145/80B10	220kg	Option	-	Option	Option	Option	Option	Option	Option	Option	Option	Option	Option	Option	Option
Braked Trailers																		
EL101-2012	Single	1000kg	145/70R13	225kg	Option	Option	Option	Option	Option	Option	Option	Option	Option	Option	Option	Option	Option	Option
EL101-2512	Single	1000kg	145/70R13	250kg	Option	-	Option	Option	Option	Option	Option	Option	Option	Option	Option	Option	Option	Option
EL101-2515	Single	1000kg	145/70R13	320kg	Option	-	-	Option	Option	Option	Option	Option	Option	Option	Option	Option	Option	Option
EL142-2512	Twin	1400kg	145/70R13	290kg	Option	-	Option	Option	Option	Option	Option	Option	Option	Option	Option	Option	Option	Option
EL141-2515	Single	1400kg	165/R13C	300kg	Option	-	-	Option	Option	Option	Option	Option	Option	Option	Option	Option	Option	Option
EL142-2515	Twin	1400kg	145/70R13	350kg	Option	-	-	Option	Option	Option	Option	Option	Option	Option	Option	Option	Option	Option
EL142-3015	Twin	1400kg	145/70R13	360kg	Option	-	-	Option	Option	Option	Option	Option	Option	Option	Option	Option	Option	Option
EL142-3615	Twin	1400kg	145/70R13	370kg	Option	-	-	Option	Option	Option	Option	Option	Option	Option	Option	Option	Option	Option
EX202-2515	Twin	2000kg	145/70R13	380kg	Option	-	-	Option	Option	Option	Option	Option	Option	Option	Option	Option	Option	Option
EX202-3015	Twin	2000kg	145/70R13	400kg	Option	-	-	Option	Option	Option	Option	Option	Option	Option	Option	Option	Option	Option
EX202-3615	Twin	2000kg	145/70R13	405kg	Option	-	-	Option	Option	Option	Option	Option	Option	Option	Option	Option	Option	Option

*Accessories are not factory fitted, an additional charge may be incurred if fitted by a distributor. Please note that all Ifor Williams braked trailers and Unbraked Eurolight trailers will come as standard with a 13 pin towing electric plug. This is in order to comply with the requirement under ECWVTA regulation changes to provide trailer reversing lights. If your vehicle only has a 7 pin towing socket then a convenient adaptor can be purchased to convert the trailer's 13 pin socket back to 7 pin.



Ifor Williams Trailers Ltd
Cynwyd, Corwen, Denbighshire LL21 0LB UK
Telephone +44 (0)1490 412527
Facsimile +44 (0)1490 413216

For further information visit our comprehensive website
www.iwt.co.uk

Product design, descriptions, colours, specifications etc. correct at time of going to press. We constantly strive to improve our products, and from time to time this may result in changes to our range or to individual models. Please check that design, description, colours, specifications described in this brochure are still valid at the time of placing an order.

Our distributors have extensive product knowledge and will be pleased to offer assistance in the selection of your trailer.

© Ifor Williams Trailers Ltd 2017.

All rights reserved.

No part of this publication may be reproduced in any form or by any means, without the prior written permission of Ifor Williams Trailers Ltd.